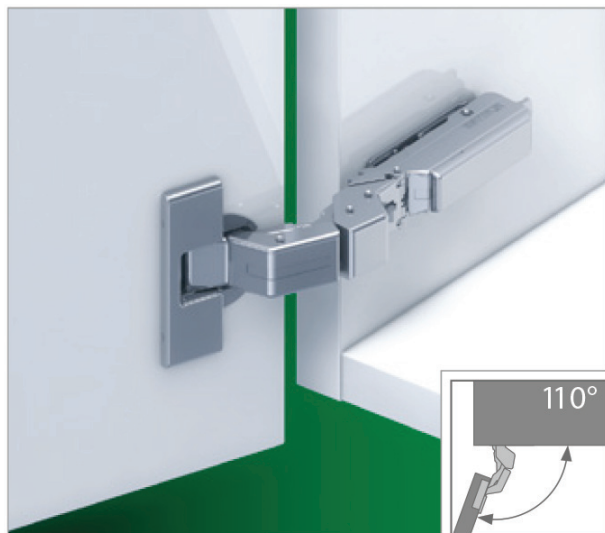


TIOMOS ŠARKA M9 ZA TANKE FRONTOVE I SPECIJALNE UGLOVE

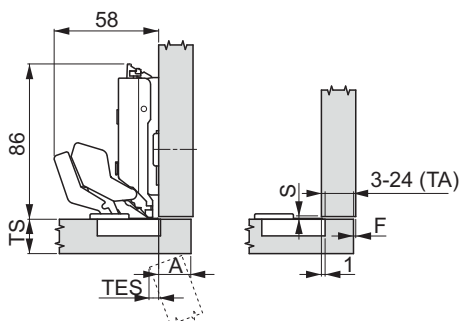


KARAKTERISTIKE:

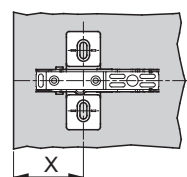
- za debljinu vrata od 12mm do max 28 mm
- Čašica Ø 35 mm (standardna)
- Dubina čašice 9 mm
- 3-dimenzionalno podešavanje s odgovarajućom montažnom pločicom

| Šifra | Opis artikla |
|------------|---|
| F029140334 | ŠARKA TIOMOS ZA FRONT M9 SA UBLAŽIVAČEM |
| F047140335 | ŠARKA TIOMOS ZA FRONT M9 BEZ UBLAŽIVAČA |
| F049140336 | ŠARKA TIOMOS ZA FRONT M9 BEZ OPRUGE |

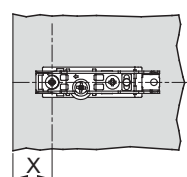
TEHNIČKO UPUTSTVO ZA MONTAŽU I UGRADNJU



Obična pločica



Ravna pločica



Debljina vrata (TS)

| | | | | | | | | | | | | | | | | | | | | | | |
|--------------------------------|-----|-----|-----|-----|-----|-----|-----|-----|-----|-----|-----|-----|-----|-----|------|-----|------|-----|-----|-----|-----|-----|
| Udaljenost čašice (TA) | 3 | | 4 | | 5 | | 6 | | 7 | | 8 | | 9 | | 10 | | 11 | | 12 | | 13 | |
| Izbočenost vrata (TES) | 0.8 | | 1.1 | | 1.5 | | 1.8 | | 2.2 | | 2.5 | | 2.9 | | 3.2 | | 3.5 | | 3.9 | | 4.2 | |
| Preklop vrata (A) | 4 | | 5 | | 6 | | 7 | | 8 | | 9 | | 10 | | 11 | | 12 | | 13 | | 14 | |
| Min. otkrivanje (F)/razmak (S) | F | S | F | S | F | S | F | S | F | S | F | S | F | S | F | S | F | S | F | S | F | S |
| 12-20 | 1 | 1.5 | 1 | 1.5 | 1 | 1.5 | 1 | 1.5 | 1 | 1.5 | 1 | 1.5 | 1 | 1.5 | 1 | 1.5 | 1 | 1.5 | 1 | 1.5 | 1 | 1.5 |
| 22 | 1 | 1.5 | 1 | 1.5 | 1 | 1.5 | 1 | 1.5 | 1 | 1.5 | 1 | 1.5 | 1 | 1.5 | 1 | 1.5 | 1.5 | 1.5 | 1.7 | 1.5 | 4 | 1.5 |
| 24 | 1 | 1.5 | 1.2 | 1.5 | 1.3 | 1.5 | 1.5 | 1.5 | 1.7 | 1.5 | 2 | 1.5 | 2.4 | 1.3 | 3.3 | 1.5 | 8.3 | 1.5 | 7.7 | 1.5 | 6.9 | 1.5 |
| 26 | 2.2 | 1.5 | 2.4 | 1.5 | 2.7 | 1.5 | 3.1 | 1.5 | 3.6 | 1.5 | 4.7 | 1.5 | 12 | 1.5 | 11.8 | 1.5 | 10.9 | 1.5 | 9.9 | 1.5 | 8.9 | 1.5 |
| 28 | 3.9 | 1.5 | 4.3 | 1.5 | 5.1 | 1.5 | 6.3 | 1.5 | 16 | 1.5 | 16 | 1.5 | 15 | 1.5 | 14 | 1.5 | 13 | 1.5 | 12 | 1.5 | 11 | 1.5 |

Debljina vrata (TS)

| | | | | | | | | | | | | | | | | | | | | | | |
|--------------------------------|-----|-----|-----|-----|-----|-----|-----|-----|-----|-----|-----|-----|-----|-----|-----|-----|-----|---|-----|---|-----|---|
| Udaljenost čašice (TA) | 14 | | 15 | | 16 | | 17 | | 18 | | 19 | | 20 | | 21 | | 22 | | 23 | | 24 | |
| Izbočenost vrata (TES) | 4.6 | | 4.9 | | 5.3 | | 5.6 | | 5.9 | | 6.3 | | 6.6 | | 7 | | 7.3 | | 7.6 | | 8 | |
| Preklop vrata (A) | 15 | | 16 | | 17 | | 18 | | 19 | | 20 | | 21 | | 22 | | 23 | | 24 | | 25 | |
| Min. otkrivanje (F)/razmak (S) | F | S | F | S | F | S | F | S | F | S | F | S | F | S | F | S | F | S | F | S | F | S |
| 12-20 | 1 | 1.5 | 1 | 1.5 | 1 | 1.5 | 1 | 1.5 | 1 | 1.5 | 1 | 1.5 | 1 | 1.5 | 1 | 1.5 | 1 | 2 | 1 | 2 | 1 | 2 |
| 22 | 4 | 1.5 | 3.5 | 1.5 | 3 | 1.5 | 2.2 | 1.5 | 1.7 | 1.5 | 1.3 | 1.5 | 1 | 1.5 | 1 | 1.5 | 1 | 2 | 1 | 2 | 1 | 2 |
| 24 | 6 | 1.5 | 5.2 | 1.5 | 4.5 | 1.5 | 4 | 1.5 | 3.3 | 1.5 | 3 | 1.5 | 2.5 | 1.5 | 2.1 | 1.5 | 1.9 | 2 | 1.6 | 2 | 1.5 | 2 |
| 26 | 8 | 1.5 | 7.2 | 1.5 | 6.4 | 1.5 | 5.8 | 1.5 | 5.1 | 1.5 | 4.6 | 1.5 | 4.1 | 1.5 | 3.7 | 1.5 | 3.3 | 2 | 3 | 2 | 2.6 | 2 |
| 28 | 10 | 1.5 | 9.2 | 1.5 | 8.4 | 1.5 | 7.6 | 1.5 | 6.9 | 1.5 | 6.4 | 1.5 | 5.8 | 1.5 | 5.3 | 1.5 | 4.9 | 2 | 4.5 | 2 | 4.2 | 2 |