

KINVARO

D-S flap stay with pull cable



- Damped opening
- Opening angle adjustable via length of pull cable
- Can be used with shallow cabinets from 82 mm depth
- Flap height 200–480 mm
- Can be used on left/right
- Easy to install horizontally or vertically
- Colours White and Night
- Designed for combination with Tiomos flap hinge

Note:

- Tiomos flap hinges must be ordered separately



APPLICATION RANGE

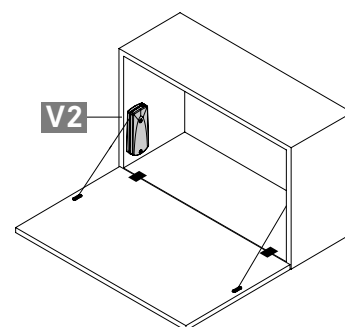
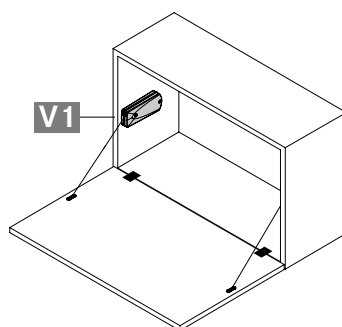
Front height (FH)	V1				V2			
	Flap weight incl. handle (kg)							
	Spring 40N		Spring 60N		Spring 40N		Spring 60N	
	1 x	2 x	1 x	2 x	1 x	2 x	1 x	2 x
200 - 270	1.7 - 3.0	3.9 - 4.5	3.1 - 4.0	7.5 - 8.0	2.5 - 3.8	4.3 - 5.6	3.9 - 4.9	-
270 - 330	1.7 - 3.0	3.3 - 4.5	3.1 - 4.0	6.1 - 7.4	2.3 - 3.1	4.2 - 5.0	3.2 - 4.1	7.0 - 7.5
330 - 380	1.7 - 1.9	3.2 - 3.5	2.9 - 3.5	5.1 - 6.8	1.8 - 2.6	3.4 - 3.9	3.0 - 3.8	5.6 - 6.5
380 - 430	1.5 - 1.8	2.7 - 3.3	2.5 - 3.3	4.8 - 6.6	1.7 - 2.3	2.9 - 4.2	2.8 - 3.5	4.7 - 6.2
430 - 460	1.2 - 1.7	2.5 - 3.1	2.3 - 3.3	4.6 - 6.0	1.5 - 2.0	3.1 - 4.0	2.5 - 3.2	4.4 - 6.1
460 - 480	-	-	2.2 - 2.8	4.4 - 5.3	-	2.8 - 3.8	2.3 - 2.6	4.1 - 5.8

ORDER INFORMATION

Kinvaro D-S flap stay			
Designation	Spring	Colour	Art. No.
Kinvaro D-S flap stay incl. front holder and fixing screws	40N	White	F053139664
		Night	F053139665
	60N	White	F053139666
		Night	F053139667

Note:

Please order Tiomos flap hinges separately.



PAGE REFERENCES

Tiomos flap hinge	289
Kinvaro D-S adjustment options	299
Assembly aids	656

